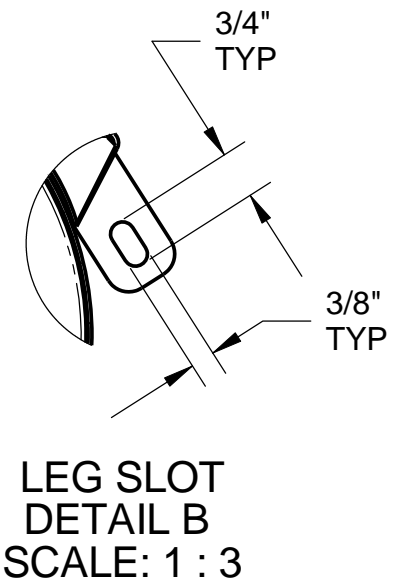
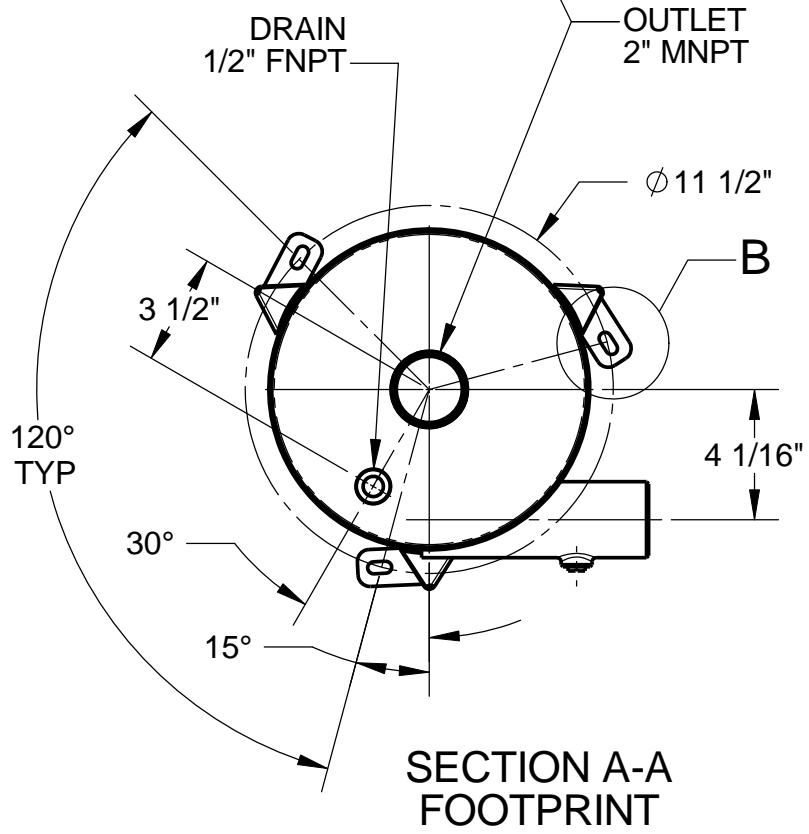
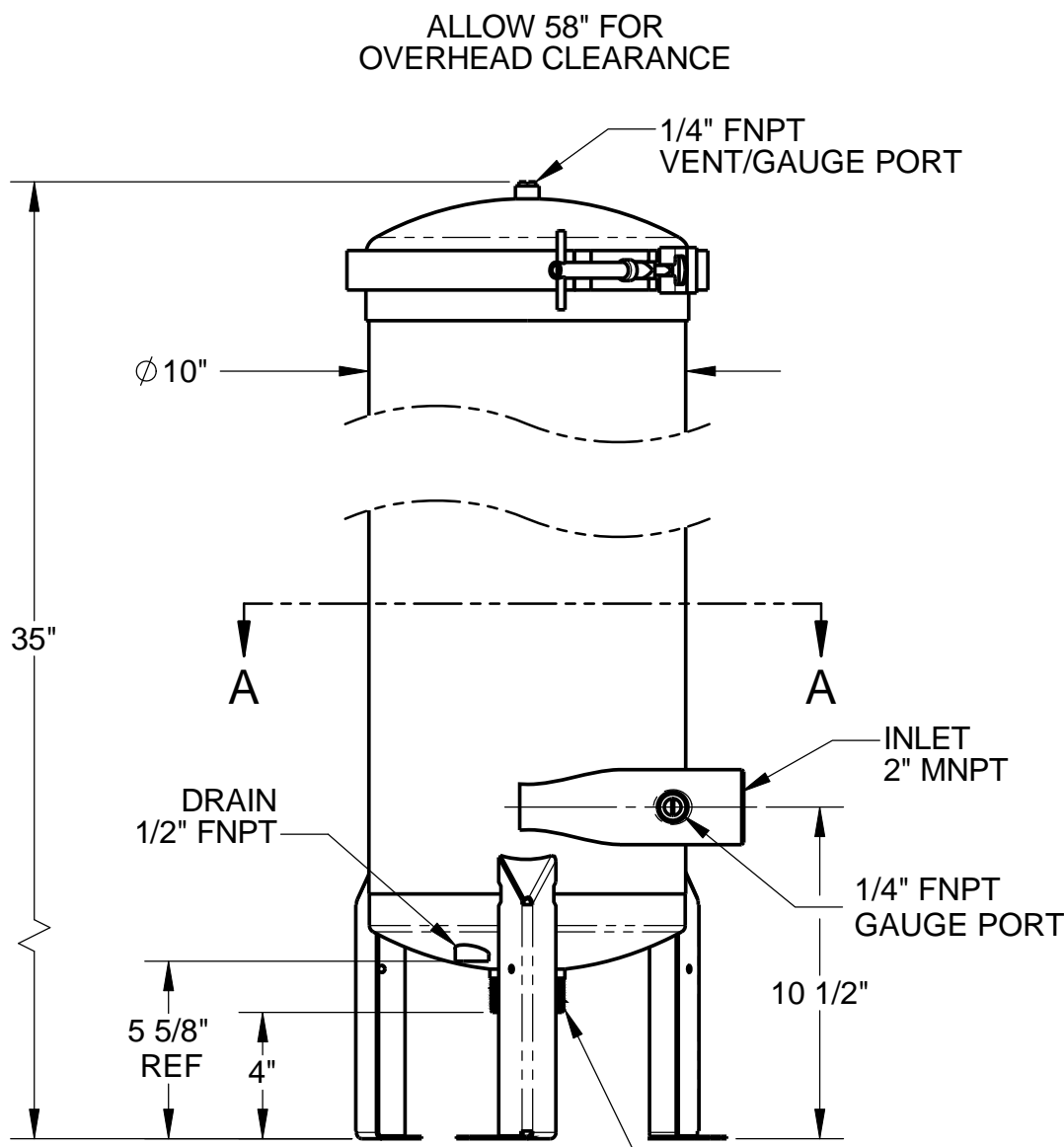


REV.	DESCRIPTION	DATE	APPROVED

E file: INSTALLATION DIAGRAM- WBC 90SC-2

THE INFORMATION CONTAINED IN THIS DRAWING IS THE SOLE PROPERTY OF HARMSCO INC. ANY REPRODUCTION IN PART OR WHOLE WITHOUT THEIR EXPRESS WRITTEN CONSENT IS PROHIBITED.



<b>HARMSCO INC.</b>		P.O. BOX 14066		N. PALM BEACH, FL	
APPROVALS		DATE	PART NO.		
DRAWN	RS	2-24-12	WBC 90SC-2		
APPROVED	RPT	4/4/12	PART NAME		
UNLESS OTHERWISE SPECIFIED DIMENSIONS ARE IN INCHES TOLERANCES ARE: FRACTIONS DECIMALS ANGLES +/- 1/8 +/- .010 +/- .30°			INSTALLATION DIAGRAM		
DRAWN ON CAD DO NOT SCALE			SCALE "1:6"		