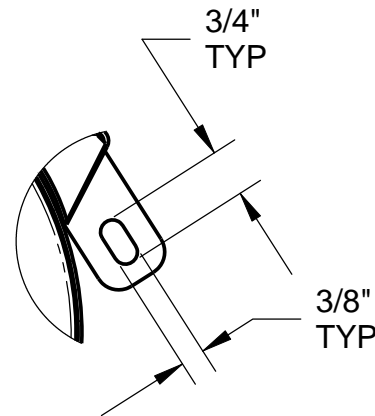
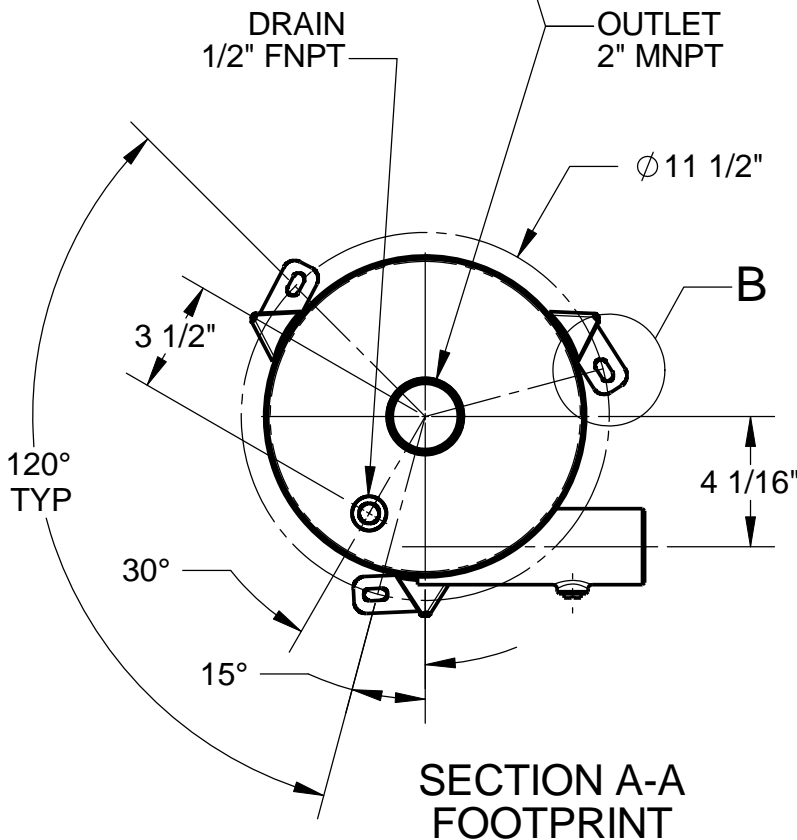
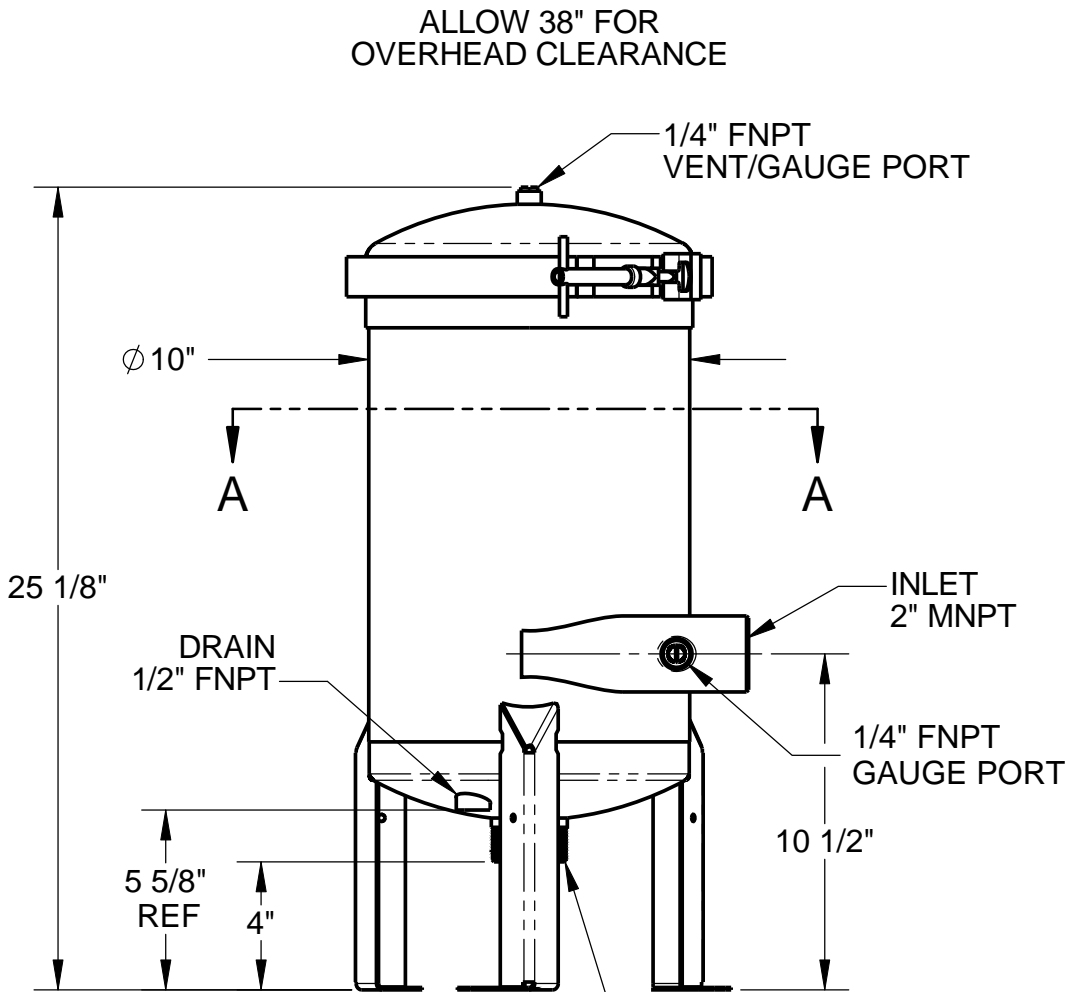


REV.	DESCRIPTION	DATE	APPROVED

E file: INSTALLATION DIAGRAM- WBC 40SC-2

THE INFORMATION CONTAINED IN THIS DRAWING IS THE SOLE PROPERTY OF HARMSCO INC. ANY REPRODUCTION IN PART OR WHOLE WITHOUT THEIR EXPRESS WRITTEN CONSENT IS PROHIBITED.



LEG SLOT  
DETAIL B  
SCALE: 1 : 3

APPROVALS		DATE
DRAWN	RS	2-22-12
APPROVED	RPT	4/4/12

UNLESS OTHERWISE SPECIFIED  
DIMENSIONS ARE IN INCHES  
TOLERANCES ARE:  
FRACTIONS DECIMALS ANGLES  
+/- 1/8 +/- .010 +/- .30"

HARMSCO INC.  
P.O. BOX 14066  
N. PALM BEACH, FL

SCALE "1:6"

PART NAME  
INSTALLATION  
DIAGRAM

PART NO.  
WBC 40SC-2

DRAWN ON CAD DO NOT SCALE