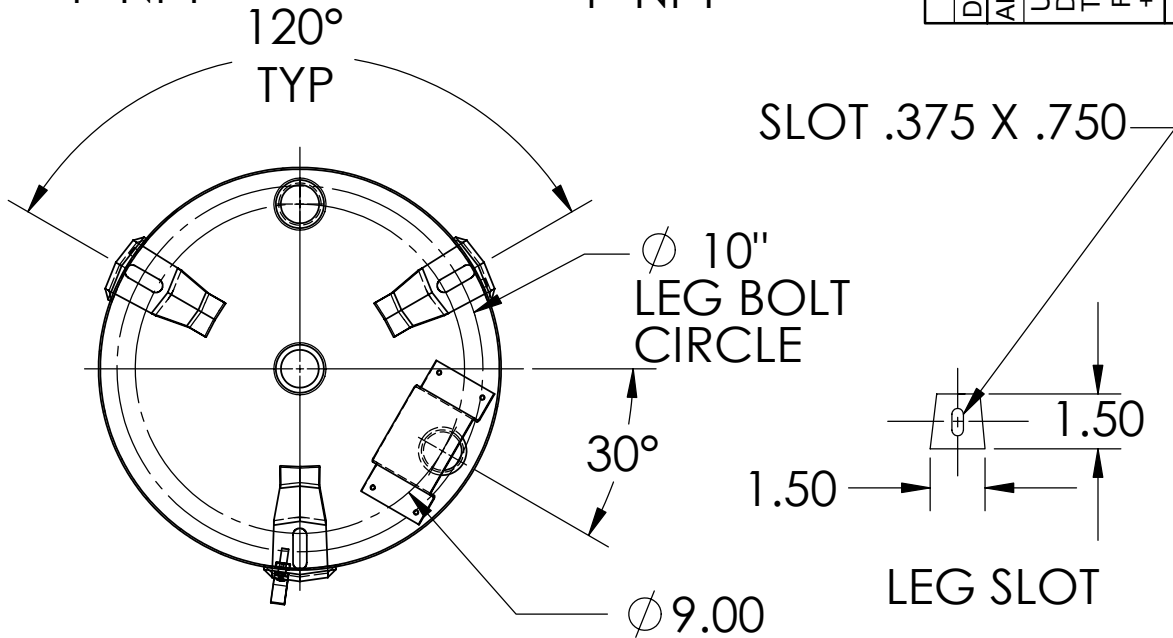
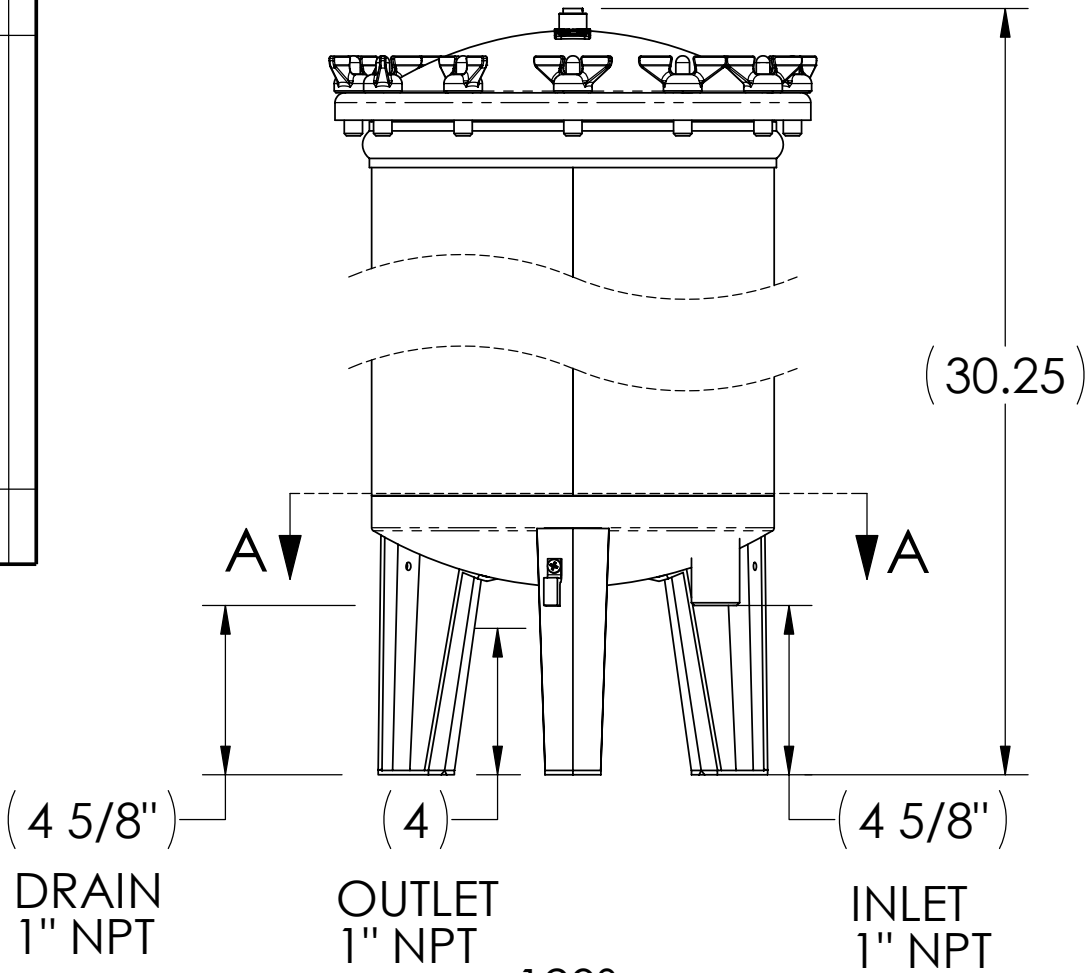


REV.	DESCRIPTION	DATE	APPROVED

ALLOW 48" FOR OVERHEAD CLEARANCE



SECTION A-A  
FOOTPRINT

<b>HARMSCO INC.</b> P.O. BOX 14066    N. PALM BEACH, FL		PART NO. <b>WB 90SC-1</b>
APPROVALS DRAWN    CDB    04/03 APPROVED	DATE 04/03	PART NAME <b>INSTALLATION DIAGRAM</b>
UNLESS OTHERWISE SPECIFIED DIMENSIONS ARE IN INCHES TOLERANCES ARE: FRACTIONS DECIMALS    ANGLES +/- 1/8    +/- .010    +/- 30°		SCALE <b>1:5</b>
DRAWN ON CAD DO NOT SCALE		

THE INFORMATION CONTAINED IN THIS DRAWING IS THE SOLE PROPERTY OF HARMSCO INC.. ANY REPRODUCTION IN PART OR WHOLE WITHOUT THEIR EXPRESS WRITTEN CONSENT IS PROHIBITED.