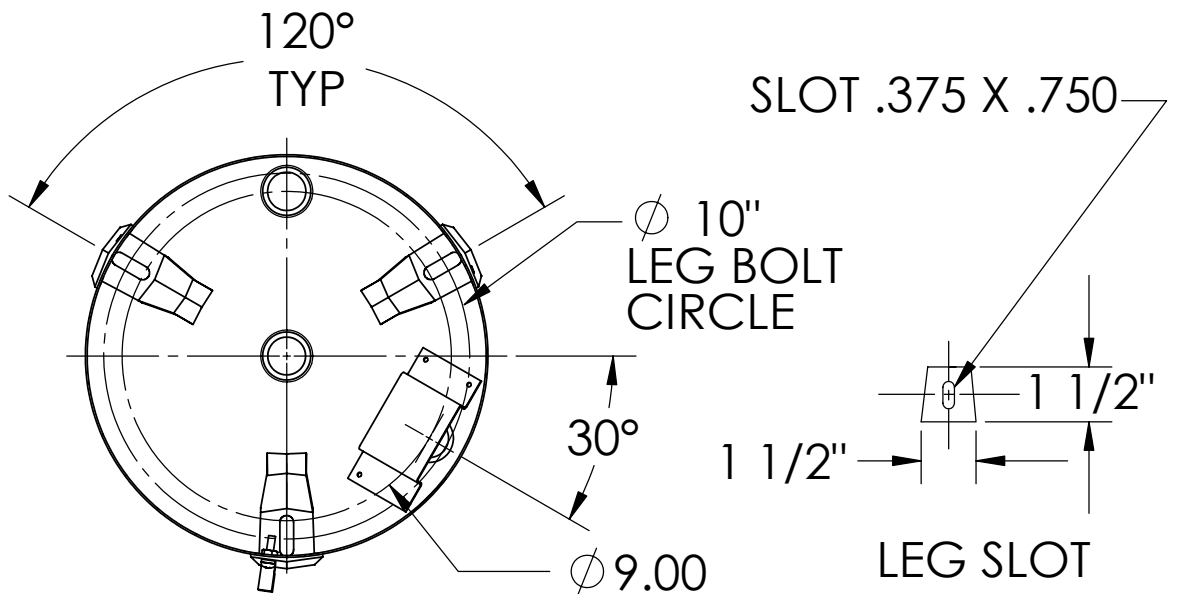
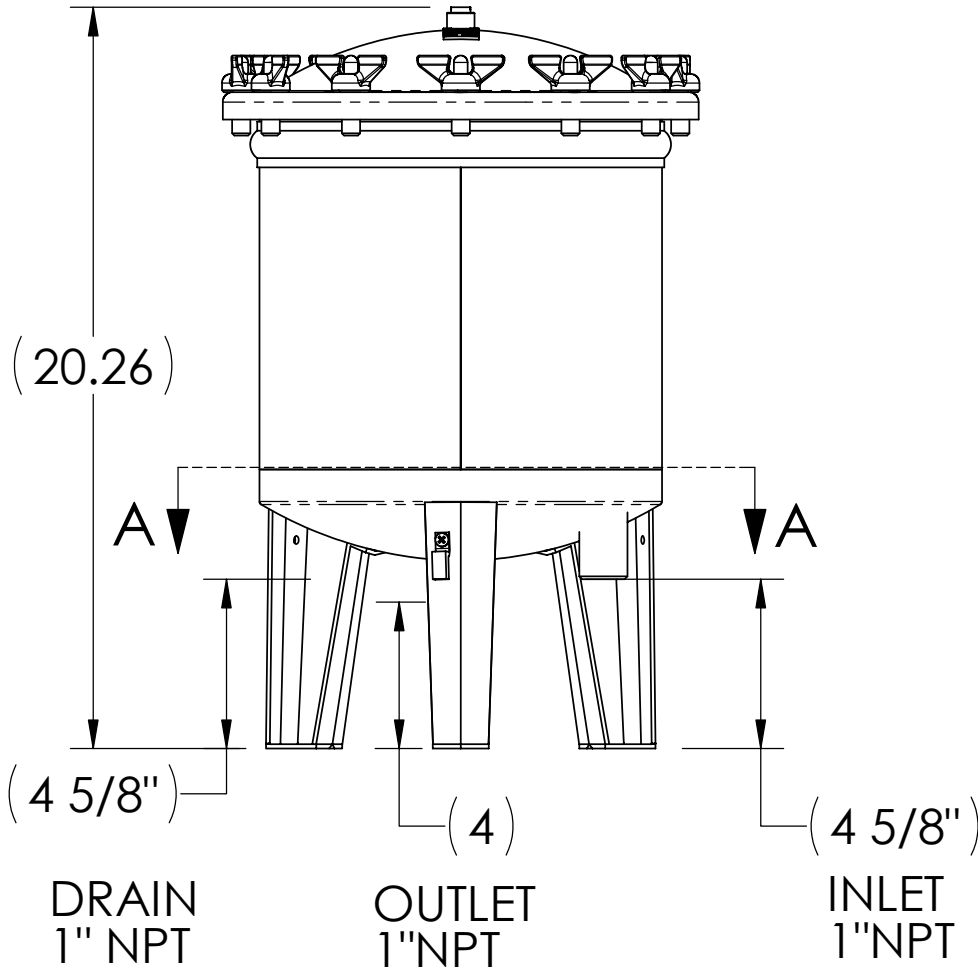


ALLOW 28" FOR  
OVERHEAD CLEARANCE



SECTION A-A  
FOOTPRINT

REVISIONS

DESCRIPTION

DATE

APPROVED

REV.

**HARMSCO INC.**

P.O. BOX 14066 N. PALM BEACH, FL

PART NO.  
WB 40SC-1

PART NAME  
INSTALLATION  
DIAGRAM

SCALE  
1:5

APPROVALS DATE  
DRAWN CDB 04/03  
APPROVED

UNLESS OTHERWISE SPECIFIED  
DIMENSIONS ARE IN INCHES  
TOLERANCES ARE:  
FRACTIONS DECIMALS ANGLES  
+/- 1/8 +/- .010 +/- 30'

DRAWN ON CAD DO NOT SCALE

THE INFORMATION CONTAINED IN THIS DRAWING IS THE SOLE PROPERTY OF HARMSCO INC.. ANY REPRODUCTION IN PART OR WHOLE WITHOUT THEIR EXPRESS WRITTEN CONSENT IS PROHIBITED.