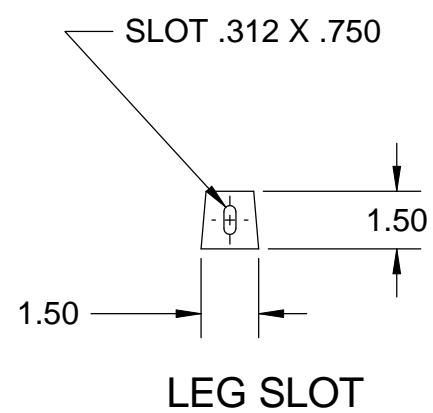
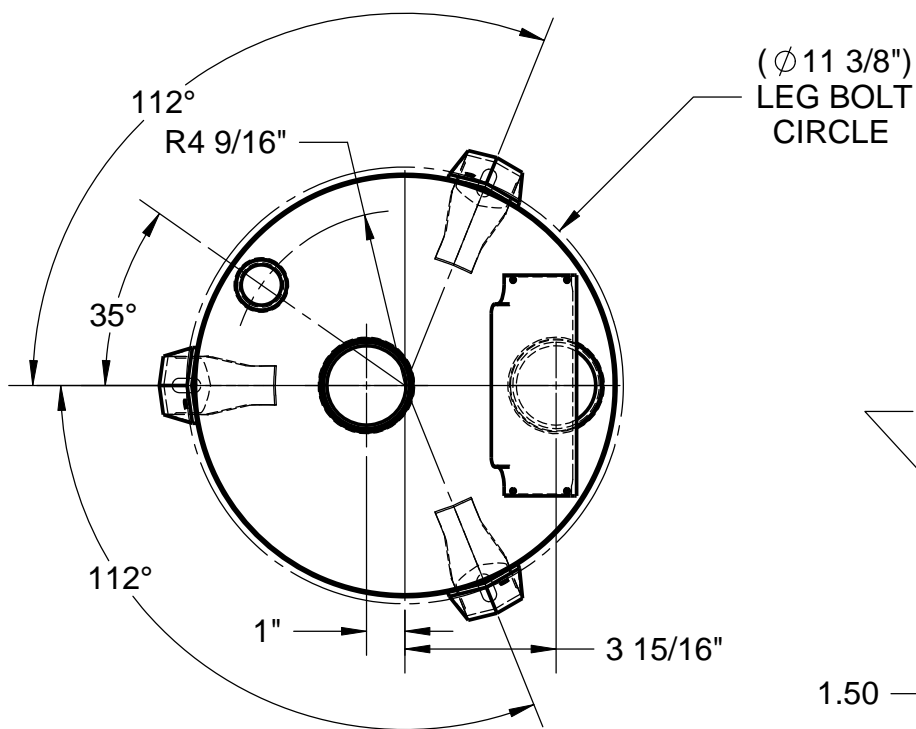
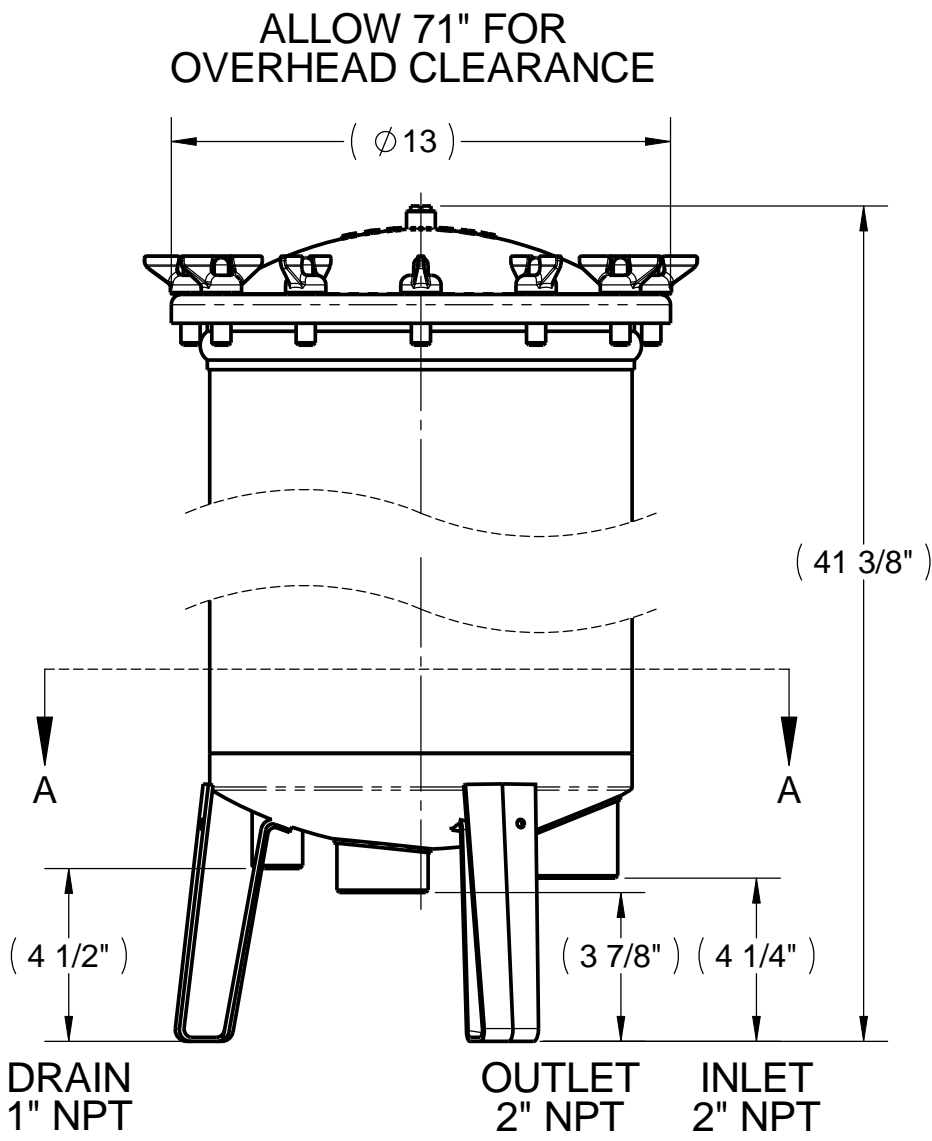


THE INFORMATION CONTAINED IN THIS DRAWING IS THE SOLE PROPERTY OF HARMSCO INC. ANY REPRODUCTION IN PART OR WHOLE WITHOUT THEIR EXPRESS WRITTEN CONSENT IS PROHIBITED.

E FILE: INSTALLATION DIAGRAM- WB 170SC-2

REV.	DESCRIPTION	DATE	APPROVED



**SECTION A-A
FOOTPRINT**

HARMSCO INC. P.O. BOX 14066 N. PALM BEACH, FL		PART NO.	WB 170SC-2
		PART NAME	INSTALLATION DIAGRAM
APPROVALS	DATE	SCALE	"1.5"
DRAWN	RS	12/07	
APPROVED	RPT	2/08	
UNLESS OTHERWISE SPECIFIED DIMENSIONS ARE IN INCHES TOLERANCES ARE: FRACTIONS DECIMALS ANGLES +/- 1/8 +/- .010 +/- 30°			
DRAWN ON CAD DO NOT SCALE			