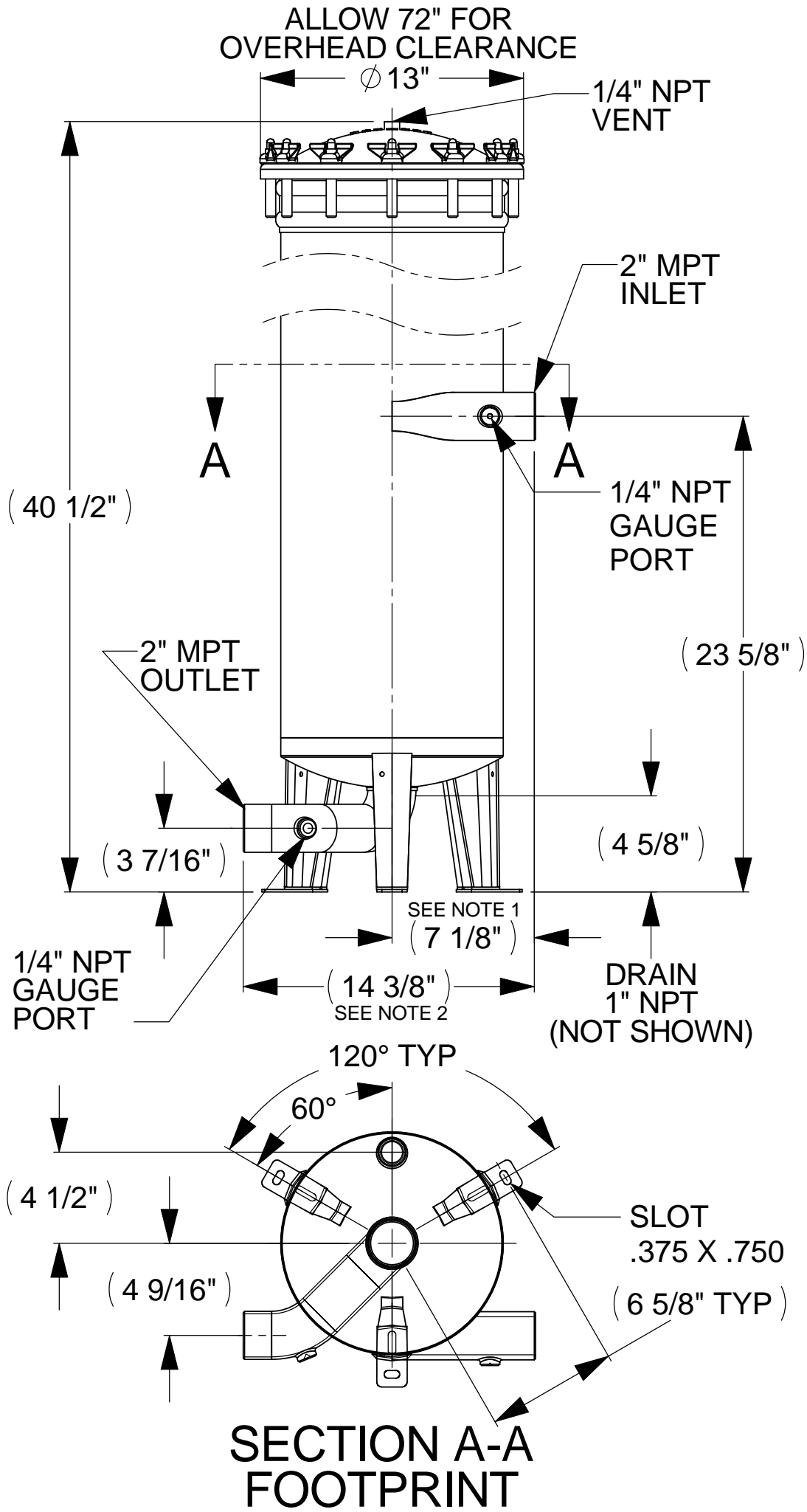


REV.	DESCRIPTION	DATE	APPROVED
A	PORT SIZE WAS ADDED (ECR 812)	9/15/11	RPT

THE INFORMATION CONTAINED IN THIS DRAWING IS THE SOLE PROPERTY OF HARMSCO INC. ANY REPRODUCTION IN PART OR WHOLE WITHOUT THEIR EXPRESS WRITTEN CONSENT IS PROHIBITED.



HARMSCO INC.		P.O. BOX 14066		N. PALM BEACH, FL	
PART NO.		PART NAME		HUR 170 HP	
SCALE		1:7		INSTALLATION DIAGRAM	
APPROVALS	DATE	DRAWN ON CAD DO NOT SCALE			
DRAWN	CWN	5/3/00			
APPROVED	RPT	5/31/00			
UNLESS OTHERWISE SPECIFIED DIMENSIONS ARE IN INCHES TOLERANCES ARE:					
FRACTIONS DECIMALS		ANGLES		+	
+/- 1/8 +/- .010		+/- 30'			

- NOTES:**
2. ADD 1" TO THIS DIMENSION WHEN USING A THREADED FLANGE (150 PSI).
 1. ADD 1/2" TO THIS DIMENSION WHEN USING A THREADED FLANGE (150 PSI).

NOTES: