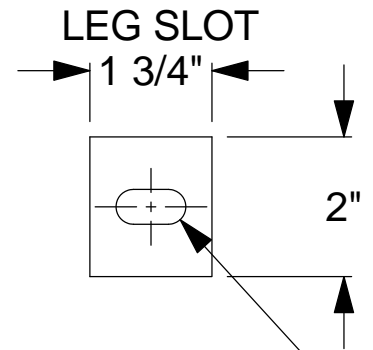
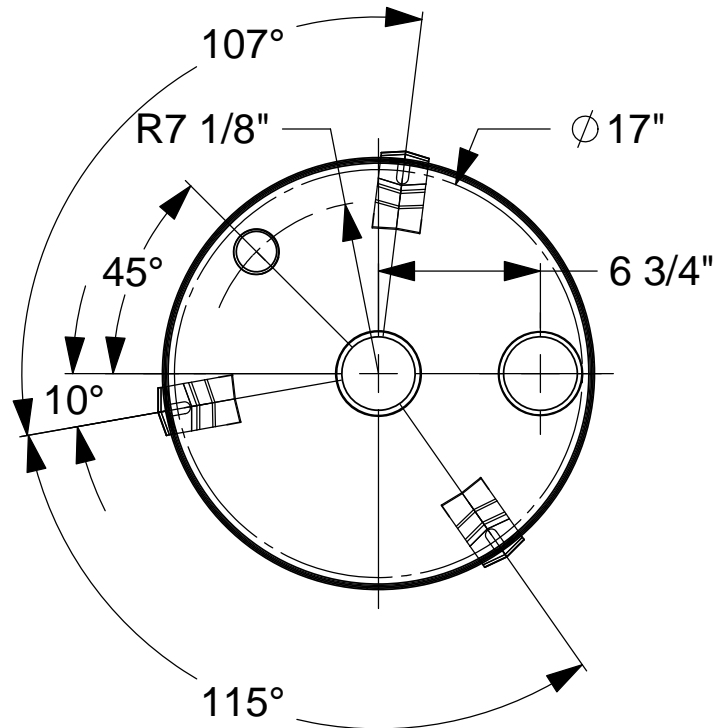
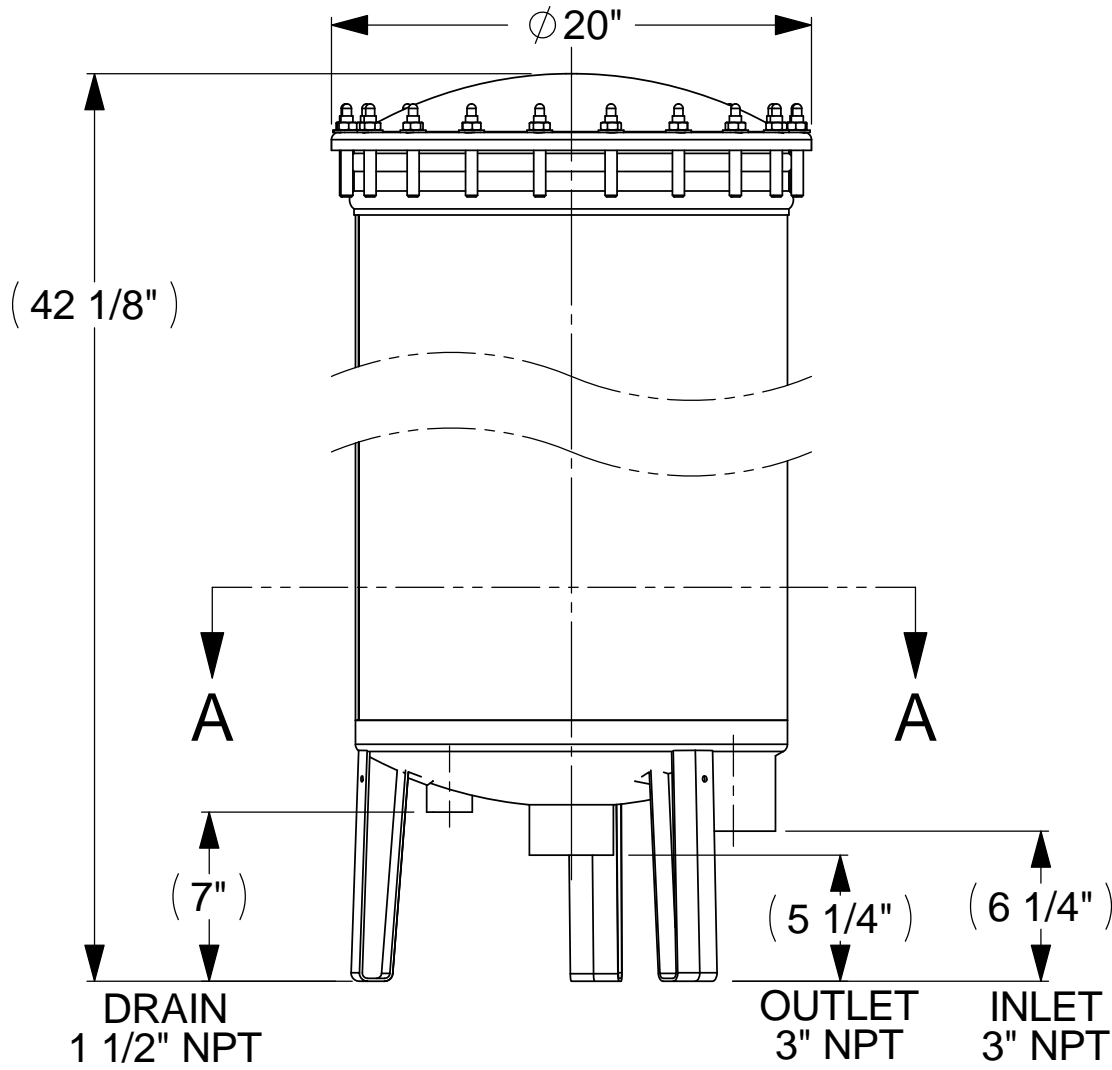


REV.	DESCRIPTION	DATE	APPROVED

ALLOW 70" FOR OVERHEAD CLEARANCE



SLOT .50 X 1.00

SECTION A-A
FOOTPRINT

HARMSCO INC.

P.O. BOX 14066 N. PALM BEACH, FL

PART NO.

HIF 75

PART NAME
**INSTALLATION
DIAGRAM**

SCALE

1:8

APPROVALS	DATE
DRAWN CWN	5/2/00
APPROVED RPT	5/30/00

UNLESS OTHERWISE SPECIFIED
DIMENSIONS ARE IN INCHES
TOLERANCES ARE:
FRACTIONS DECIMALS ANGLES
+/- 1/8 +/- .010 +/- 30°

DRAWN ON CAD DO NOT SCALE

THE INFORMATION CONTAINED IN THIS DRAWING IS THE SOLE PROPERTY OF HARMSCO INC. ANY REPRODUCTION IN PART OR WHOLE WITHOUT THEIR EXPRESS WRITTEN CONSENT IS PROHIBITED.