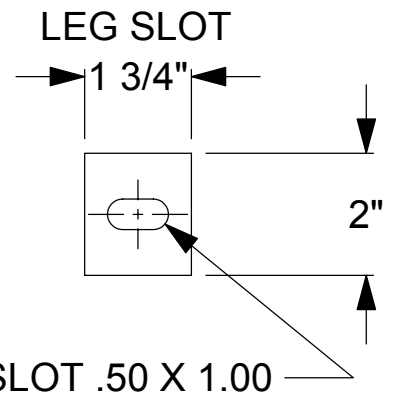
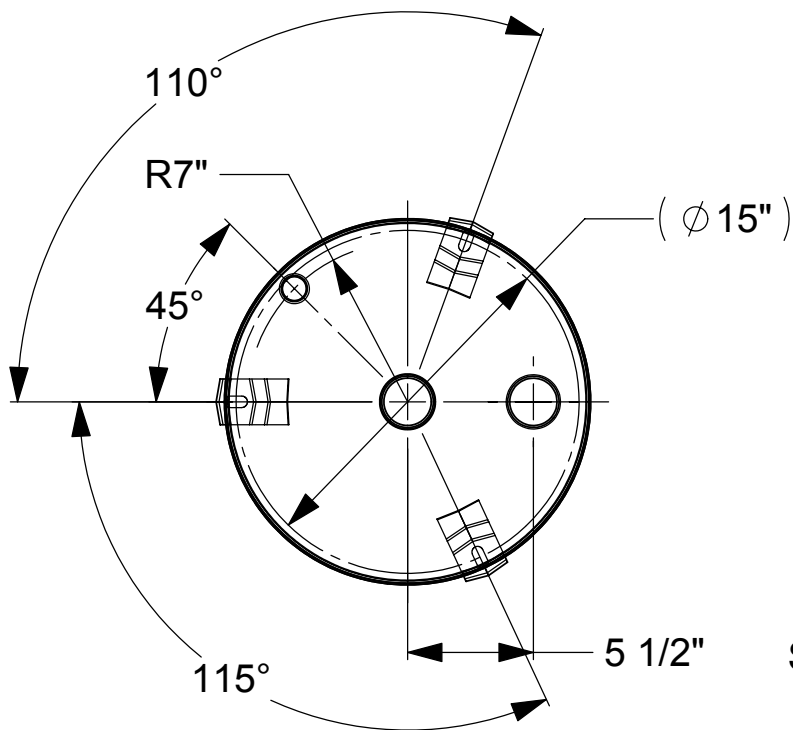
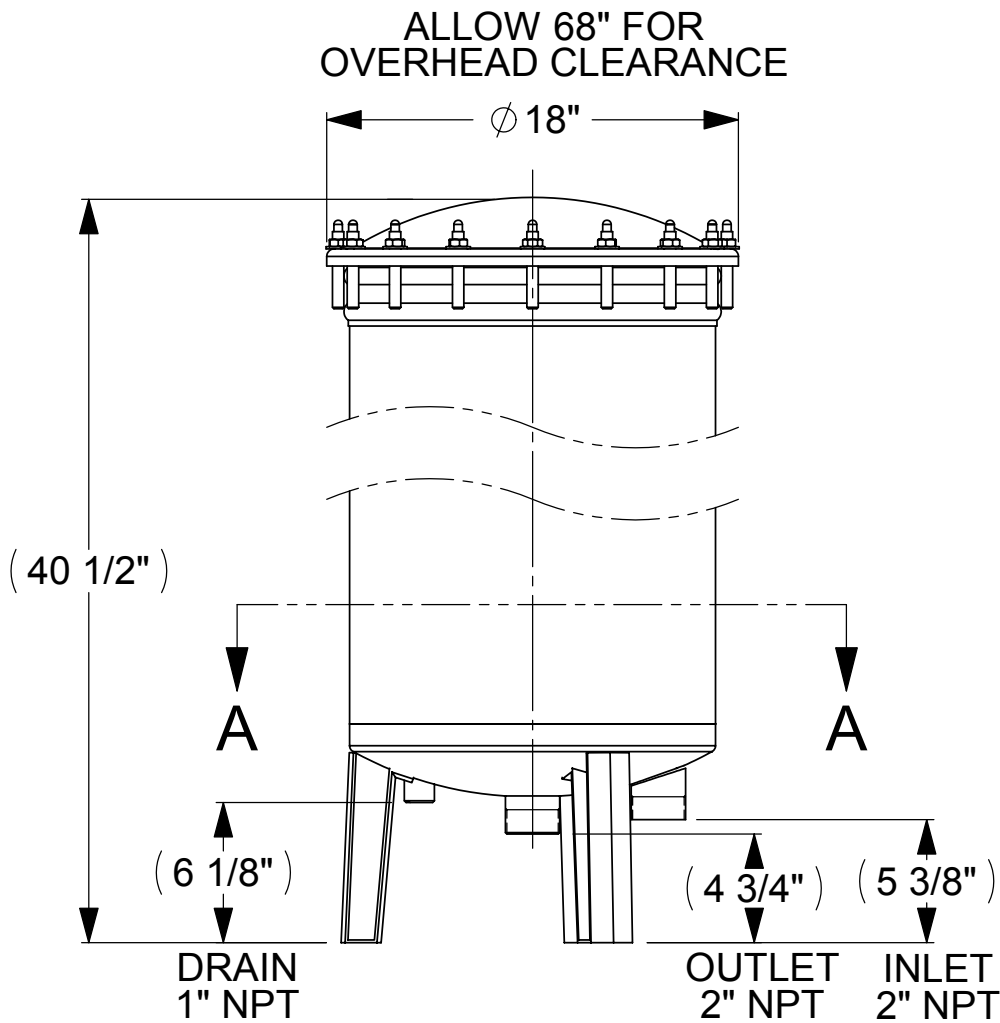


REV.	DESCRIPTION	DATE	APPROVED

THE INFORMATION CONTAINED IN THIS DRAWING IS THE SOLE PROPERTY OF HARMSCO INC.. ANY REPRODUCTION IN PART OR WHOLE WITHOUT THEIR EXPRESS WRITTEN CONSENT IS PROHIBITED.



SECTION A-A

<b>HARMSCO INC.</b> P.O. BOX 14066      N. PALM BEACH, FL		PART NO. <b>HIF 42</b>
SCALE <b>1:8</b>		PART NAME <b>INSTALLATION DIAGRAM</b>
APPROVALS DRAWN      CWN      DATE      5/2/00 APPROVED      RPT      8/28/00	UNLESS OTHERWISE SPECIFIED DIMENSIONS ARE IN INCHES TOLERANCES ARE: FRACTIONS DECIMALS    ANGLES +/- 1/8                      +/- .010                      +/- 30'	
DRAWN ON CAD DO NOT SCALE		