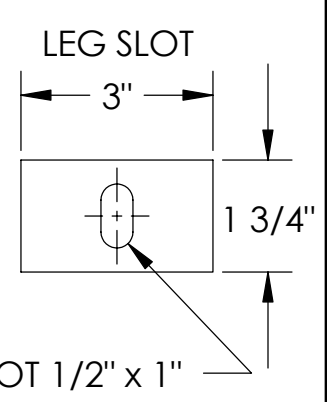
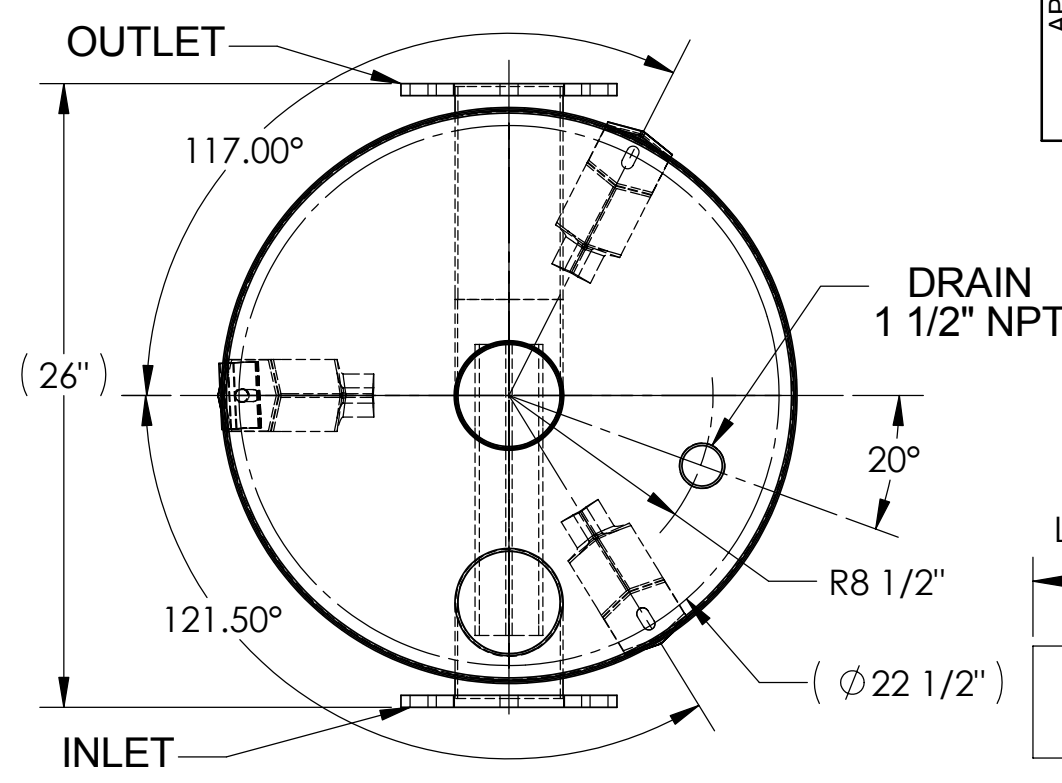
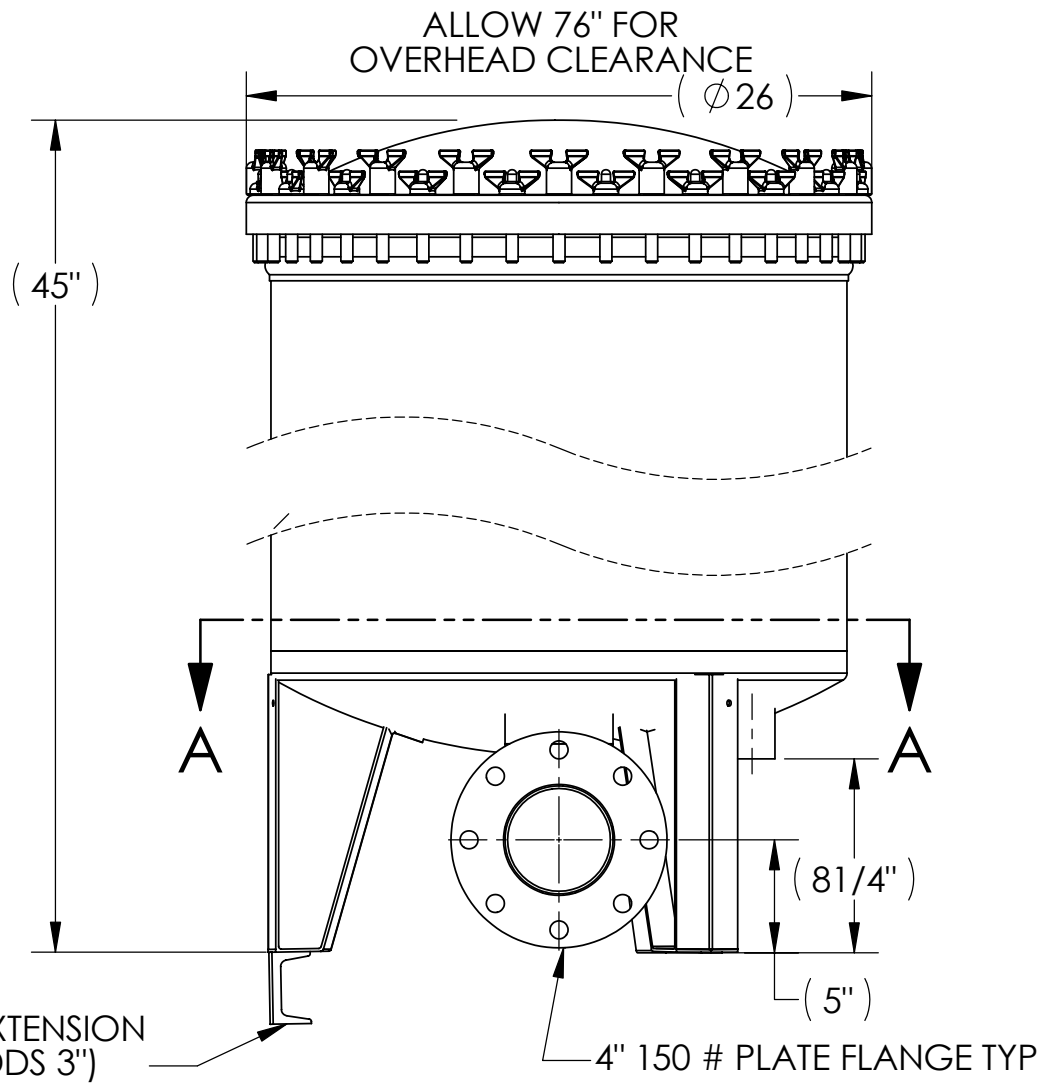


THE INFORMATION CONTAINED IN THIS DRAWING IS THE SOLE PROPERTY OF HARMSCO INC. ANY REPRODUCTION IN PART OR WHOLE WITHOUT THEIR EXPRESS WRITTEN CONSENT IS PROHIBITED.

REVISIONS		
REV.	DESCRIPTION	DATE
	CHG-FLNG DISCRPTION	6/07
		APPROVED
		RPT



SECTION A-A
FOOTPRINT

APPROVALS		DATE
DRAWN		
APPROVED	RPT	11/04
UNLESS OTHERWISE SPECIFIED DIMENSIONS ARE IN INCHES TOLERANCES ARE:		
FRACTIONS	DECIMALS	ANGLES
+/- 1/32	+/- .010	+/- 30°

HARMSCO INC.	
P.O. BOX 14066	N. PALM BEACH, FL
SCALE 1:8	PART NAME INSTALLATION DIAGRAM
	PART NO. HIF 150FL

DRAWN ON CAD DO NOT SCALE