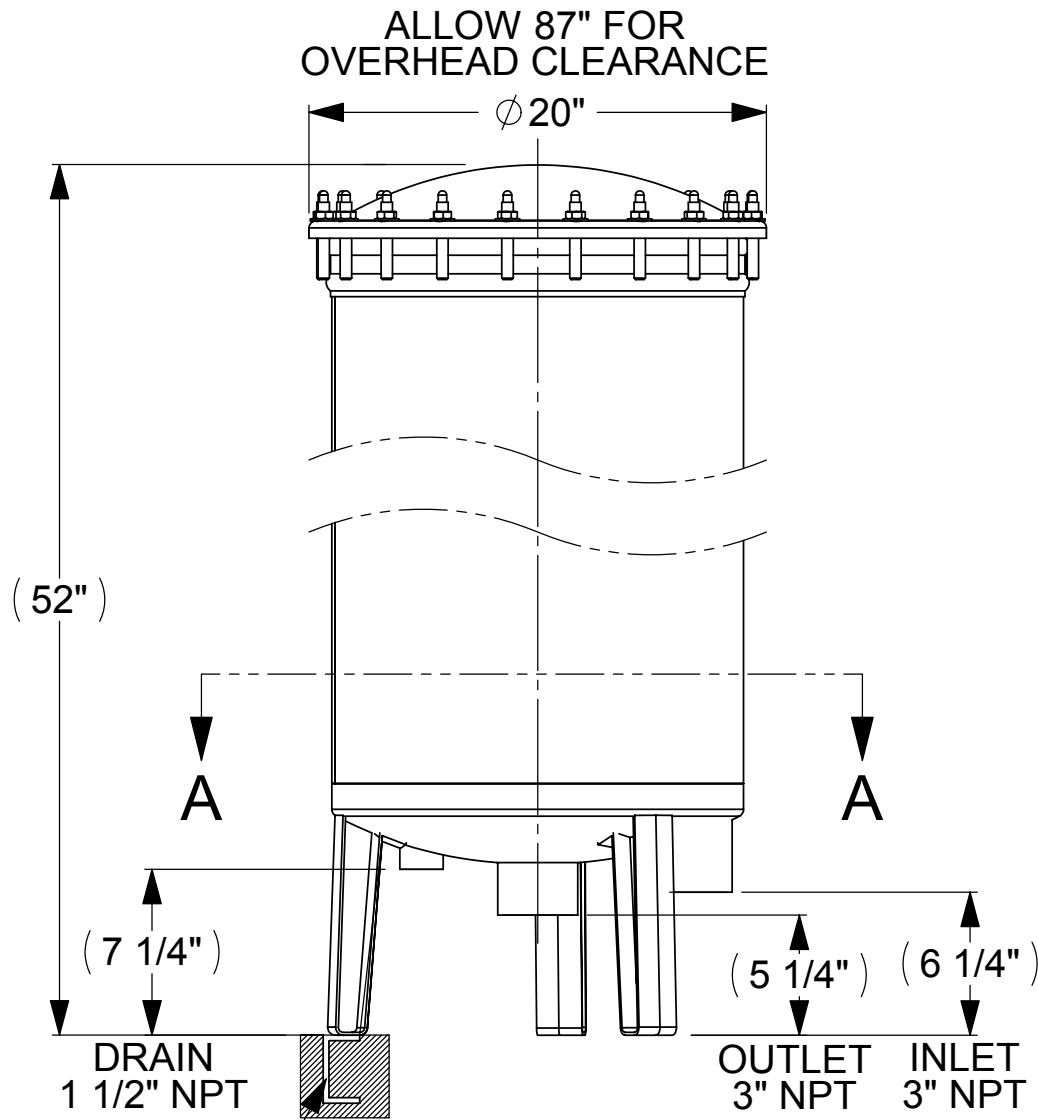


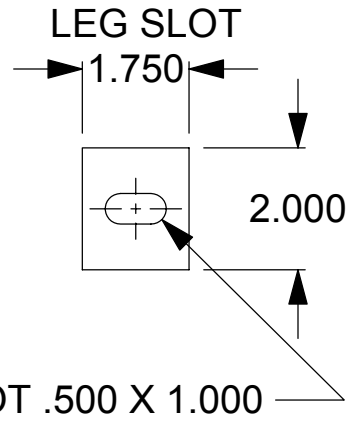
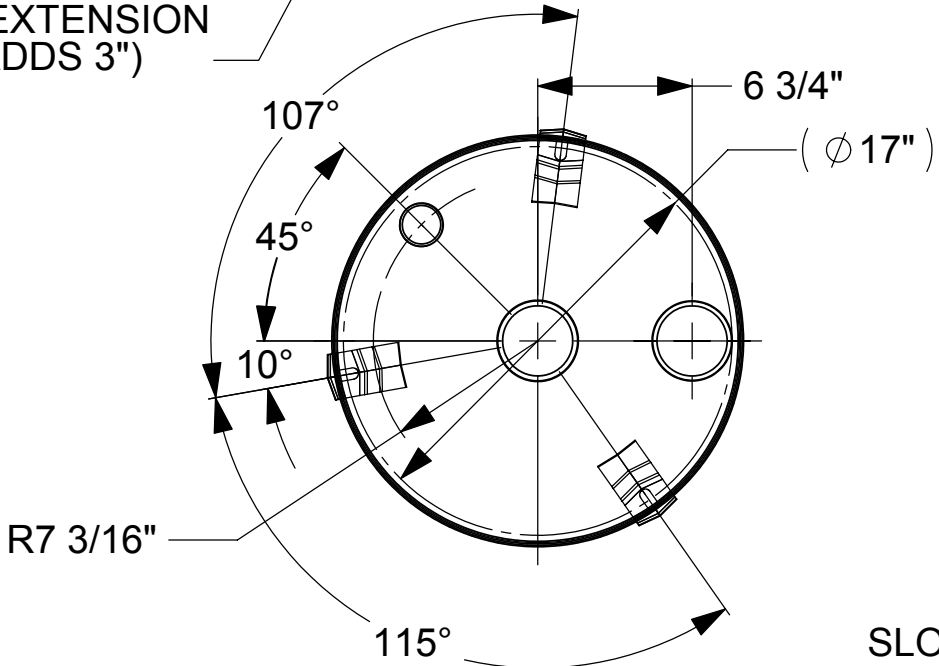
REV.	DESCRIPTION	DATE	APPROVED

THE INFORMATION CONTAINED IN THIS DRAWING IS THE SOLE PROPERTY OF HARMSCO INC.. ANY REPRODUCTION IN PART OR WHOLE WITHOUT THEIR EXPRESS WRITTEN CONSENT IS PROHIBITED.



ALLOW 87" FOR OVERHEAD CLEARANCE

LEG EXTENSION (ADDS 3")



SECTION A-A
FOOTPRINT

HARMSCO INC.		N. PALM BEACH, FL	
P.O. BOX 14066		PART NO. HIF 100	
SCALE 1:8		PART NAME INSTALLATION DIAGRAM	
APPROVALS	DATE	DRAWN ON CAD DO NOT SCALE	
DRAWN CWN	5/2/00	UNLESS OTHERWISE SPECIFIED DIMENSIONS ARE IN INCHES TOLERANCES ARE: FRACTIONS DECIMALS ANGLES +/- 1/8 +/- .010 +/- 30'	
APPROVED RPT	5/30/00		