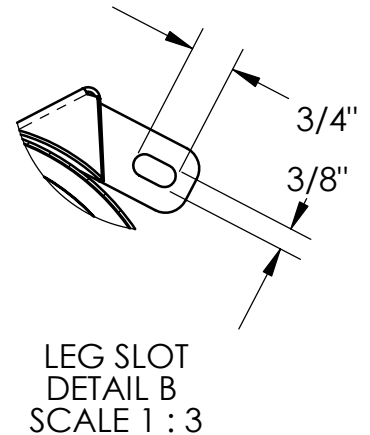
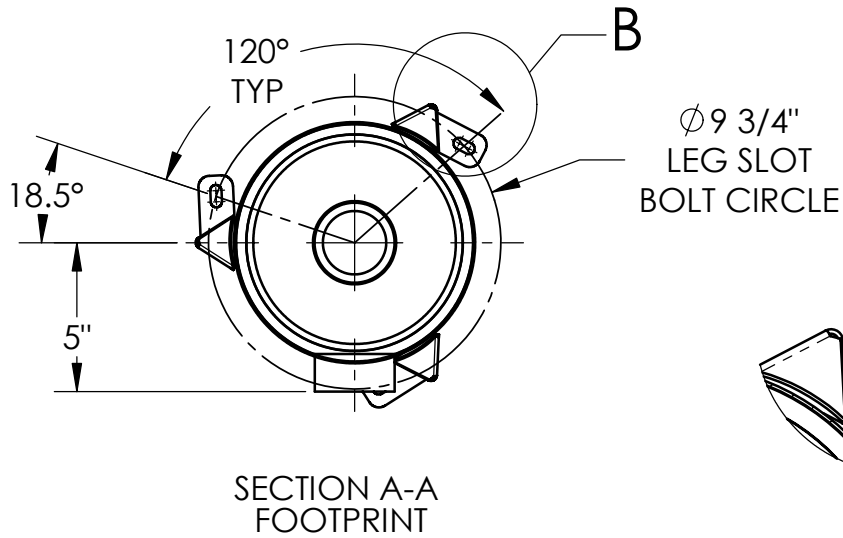
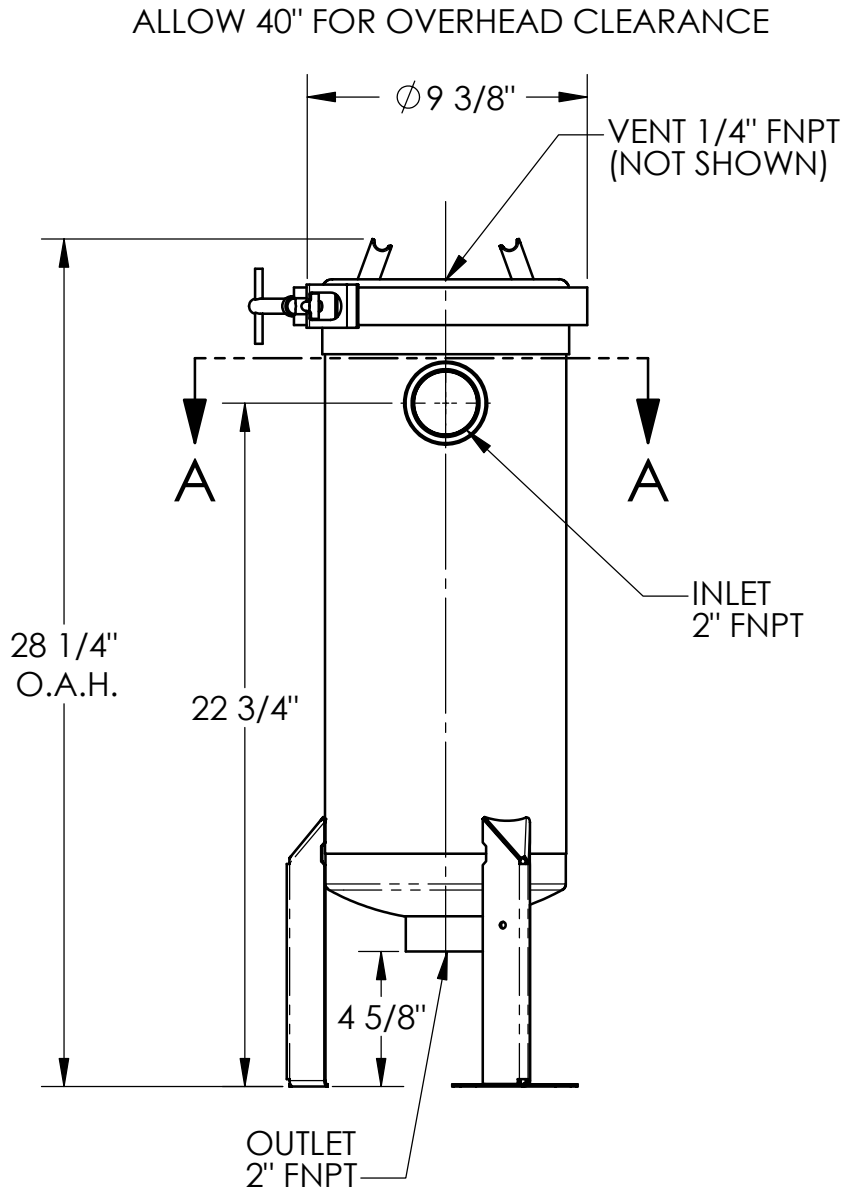


THE INFORMATION CONTAINED IN THIS DRAWING IS THE SOLE PROPERTY OF HARMSCO INC. ANY REPRODUCTION IN PART OR WHOLE WITHOUT THEIR EXPRESS WRITTEN CONSENT IS PROHIBITED.

E FILE: INSTALLATION DIAGRAM- BCB-1-2-STD

REV.	DESCRIPTION	DATE	APPROVED



**HARMSCO INC.**

P.O. BOX 14066 N. PALM BEACH, FL

SCALE "1:6"

PART NAME  
**INSTALLATION DIAGRAM**

PART NO.

**BCB-1-2-STD**

APPROVALS	DATE
DRAWN RPT	7/06
APPROVED	

UNLESS OTHERWISE SPECIFIED DIMENSIONS ARE IN INCHES TOLERANCES ARE:  
FRACTIONS DECIMALS ANGLES  
+/- 1/8 +/- .010 +/- 1°

DRAWN ON CAD DO NOT SCALE