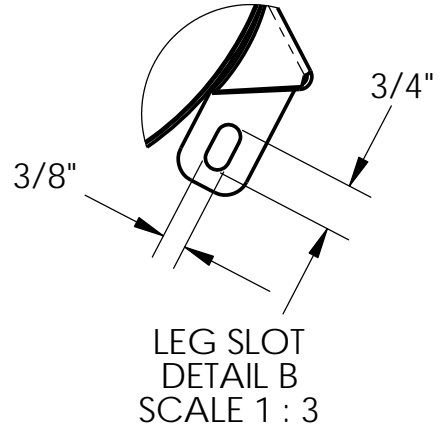
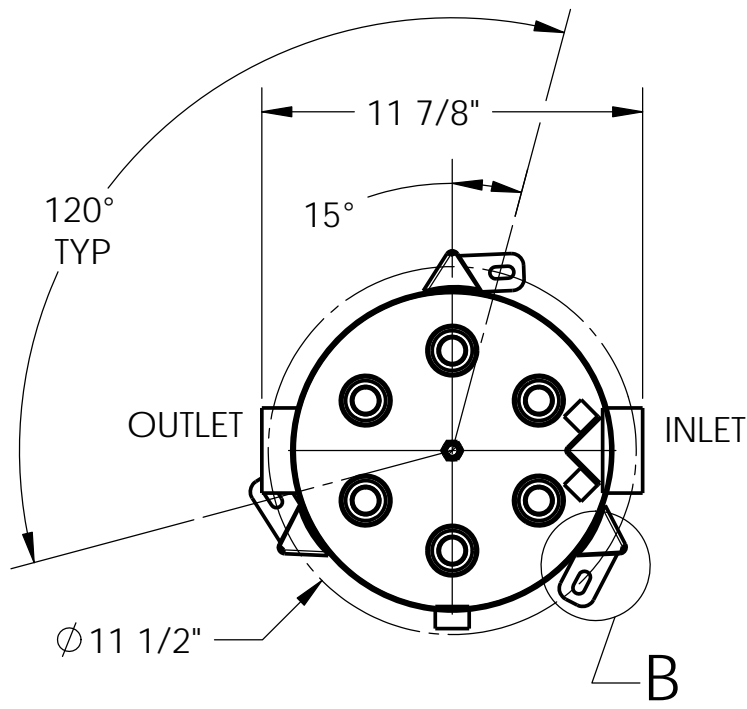
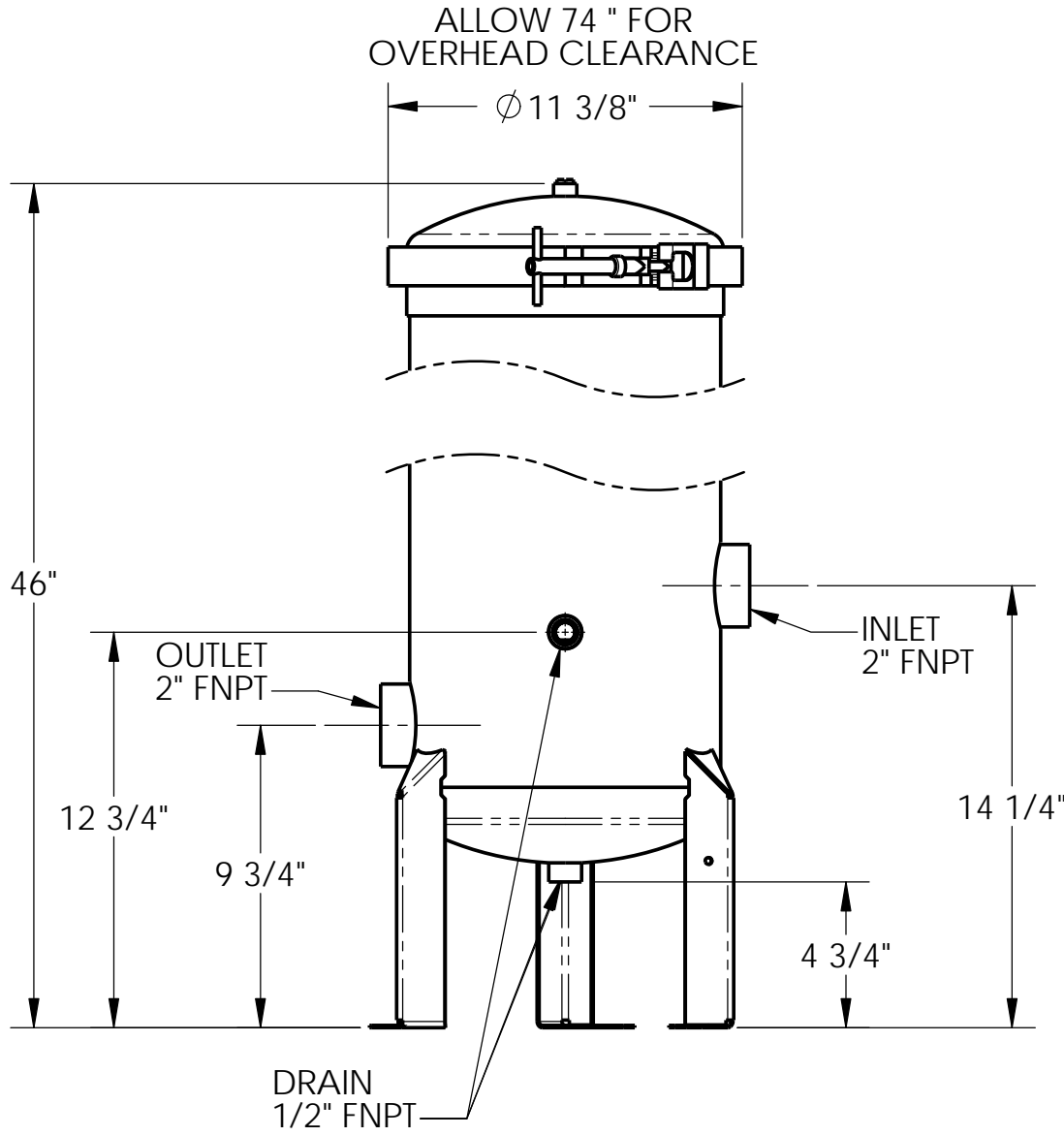


REV.	DESCRIPTION	DATE	APPROVED



SECTION A-A
FOOTPRINT

HARMSCO INC.
P.O. BOX 14066 N. PALM BEACH, FL

APPROVALS	DATE
DRAWN RS	3-28-05
APPROVED	

UNLESS OTHERWISE SPECIFIED
DIMENSIONS ARE IN INCHES
TOLERANCES ARE:
FRACTIONS DECIMALS ANGLES
+/- 1/32 +/- .010 +/- .30"

SCALE "1:6"

DRAWN ON CAD DO NOT SCALE

PART NAME
**INSTALLATION
DIAGRAM**

PART NO.
BC6-3-T-__

THE INFORMATION CONTAINED IN THIS DRAWING IS THE SOLE PROPERTY OF HARMSCO INC. ANY REPRODUCTION IN PART OR WHOLE WITHOUT THEIR EXPRESS WRITTEN CONSENT IS PROHIBITED.

file name" ID BC6-3-T-062613