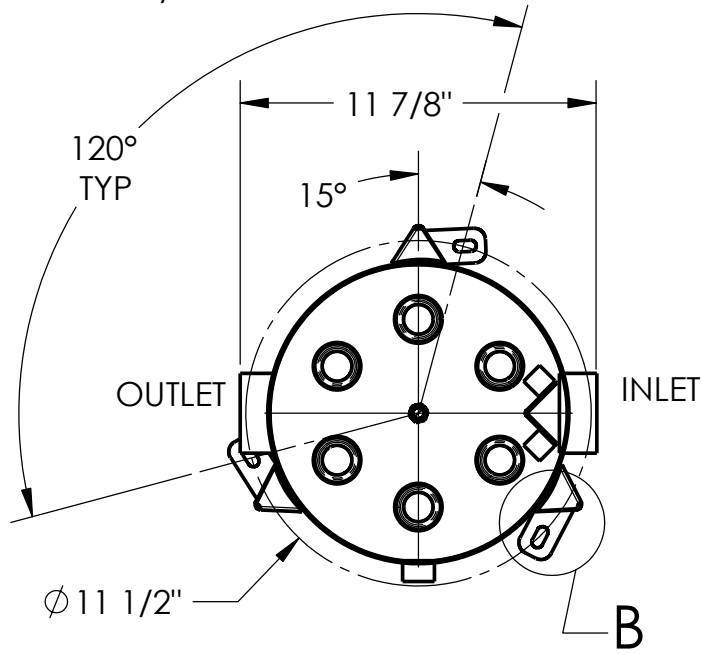
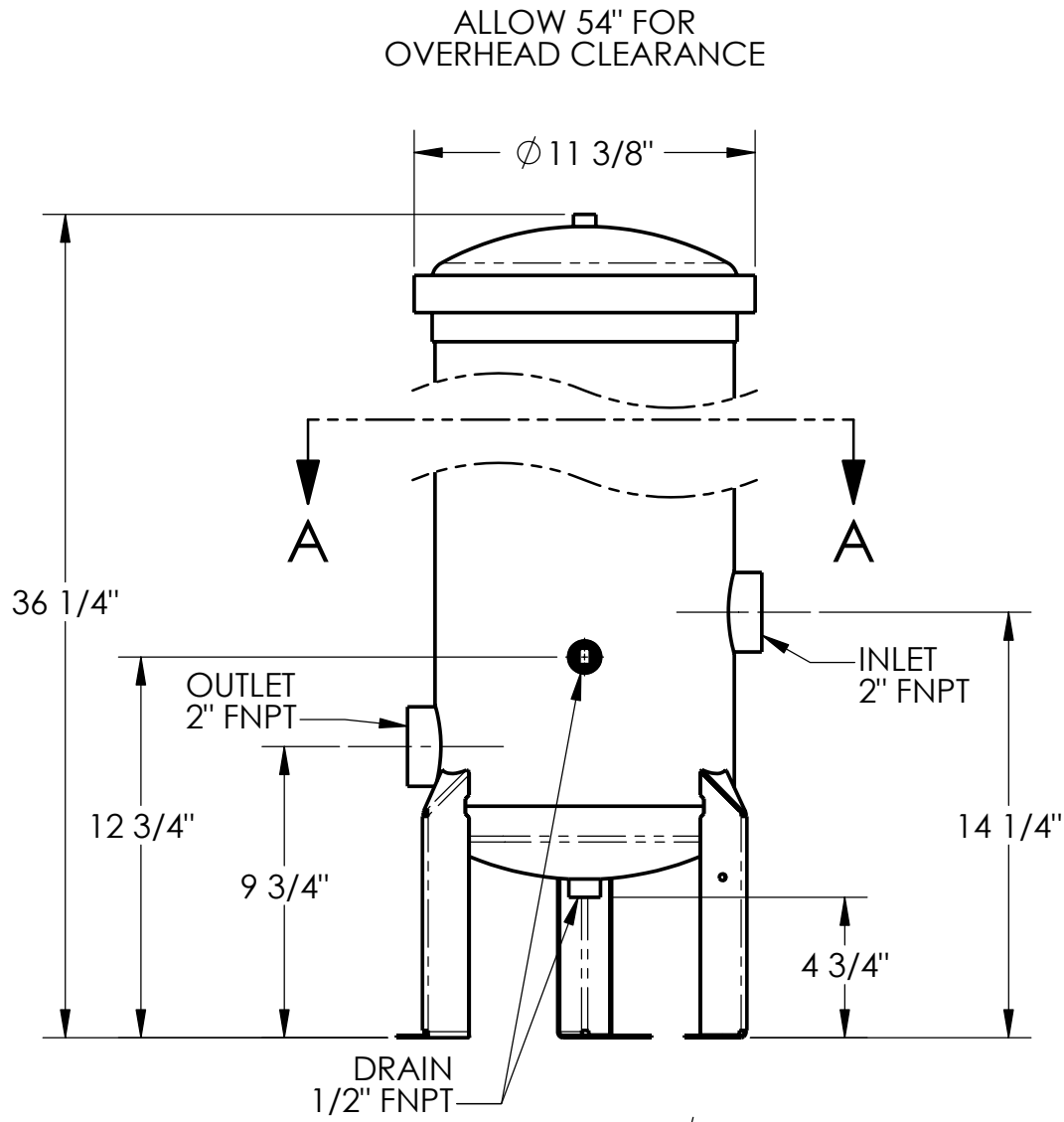


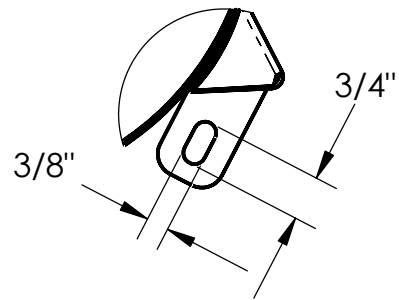
THE INFORMATION CONTAINED IN THIS DRAWING IS THE SOLE PROPERTY OF HARMSCO INC. ANY REPRODUCTION IN PART OR WHOLE WITHOUT THEIR EXPRESS WRITTEN CONSENT IS PROHIBITED.

E file: INSTALLATION DIAGRAM- BC6-2-T-XX

REV.	DESCRIPTION	DATE	APPROVED



SECTION A-A
FOOTPRINT



LEG SLOT
DETAIL B
SCALE 1 : 3

HARMSCO INC.

P.O. BOX 14066 N. PALM BEACH, FL

PART NO.

PART NAME
INSTALLATION
DIAGRAM

BC6-2-T-

SCALE
"1.6"

APPROVALS	DATE
DRAWN ID BC6-2-T-03285	
APPROVED RPT 5-06	
UNLESS OTHERWISE SPECIFIED DIMENSIONS ARE IN INCHES TOLERANCES ARE: FRACTIONS DECIMALS ANGLES +/- 1/8 +/- .010 +/- 30°	
DRAWN ON CAD DO NOT SCALE	