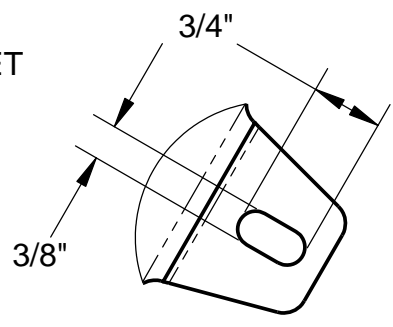
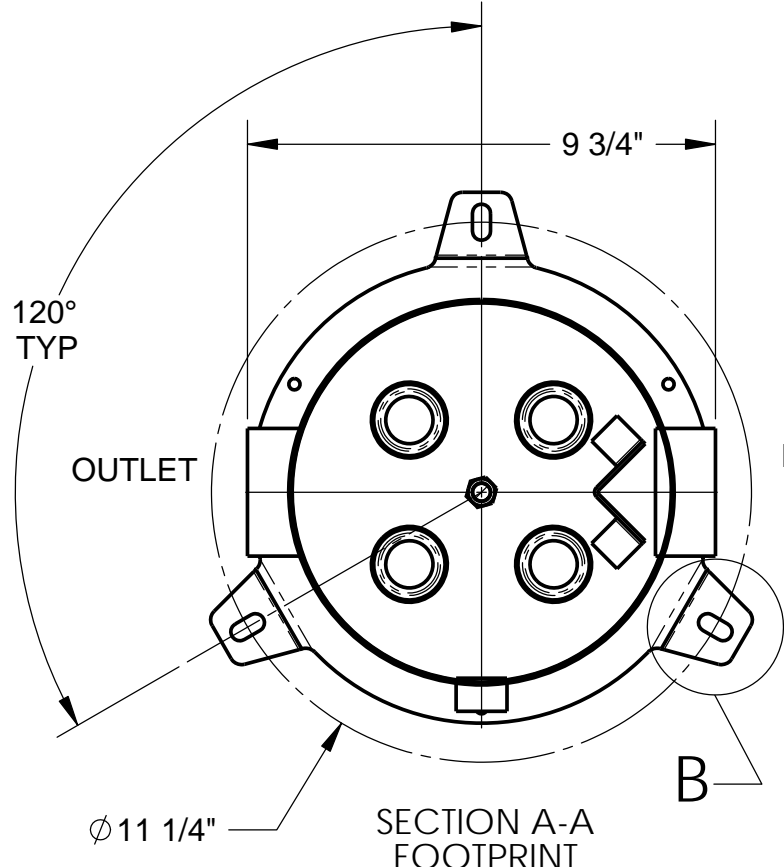
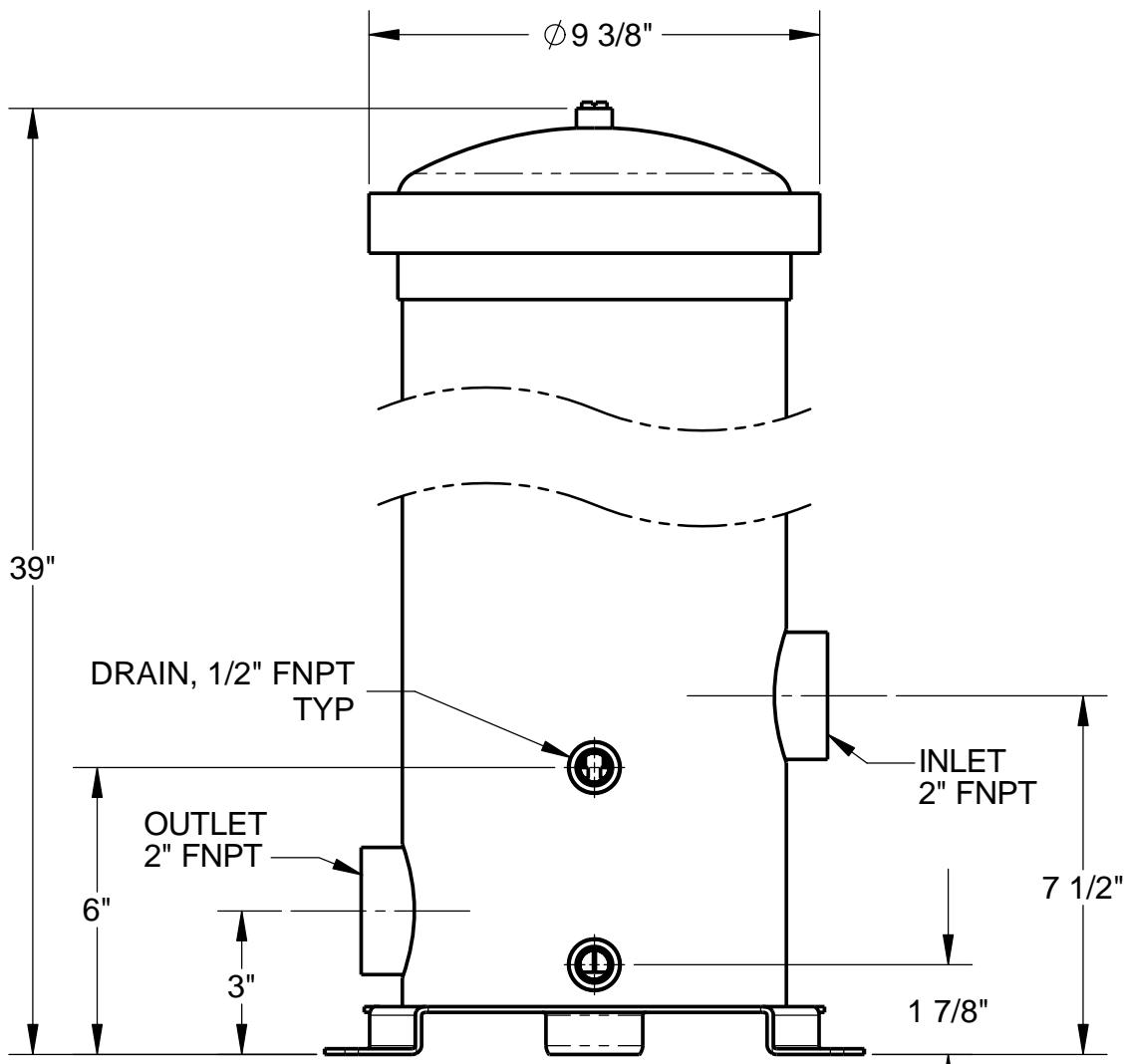


REV.	DESCRIPTION	DATE	APPROVED

ALLOW 67" FOR OVERHEAD CLEARANCE



<b>HARMSCO INC.</b> P.O. BOX 14066 N. PALM BEACH, FL		PART NO. <b>BC4-3-T-</b>
APPROVALS DRAWN RS APPROVED	DATE 3-25-05	SCALE "1:4"
UNLESS OTHERWISE SPECIFIED DIMENSIONS ARE IN INCHES TOLERANCES ARE: FRACTIONS DECIMALS ANGLES +/- 1/32 +/- .010 +/- 30°		
DRAWN ON CAD DO NOT SCALE		

THE INFORMATION CONTAINED IN THIS DRAWING IS THE SOLE PROPERTY OF HARMSCO INC. ANY REPRODUCTION IN PART OR WHOLE WITHOUT THEIR EXPRESS WRITTEN CONSENT IS PROHIBITED.

file name: ID BC4-3-T-062513