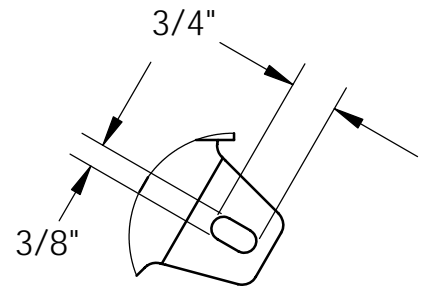
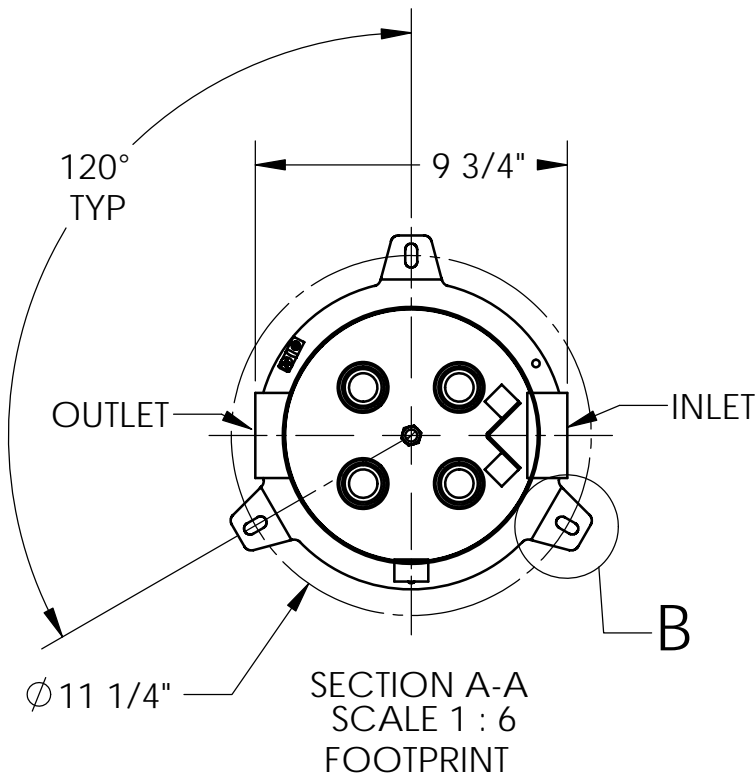
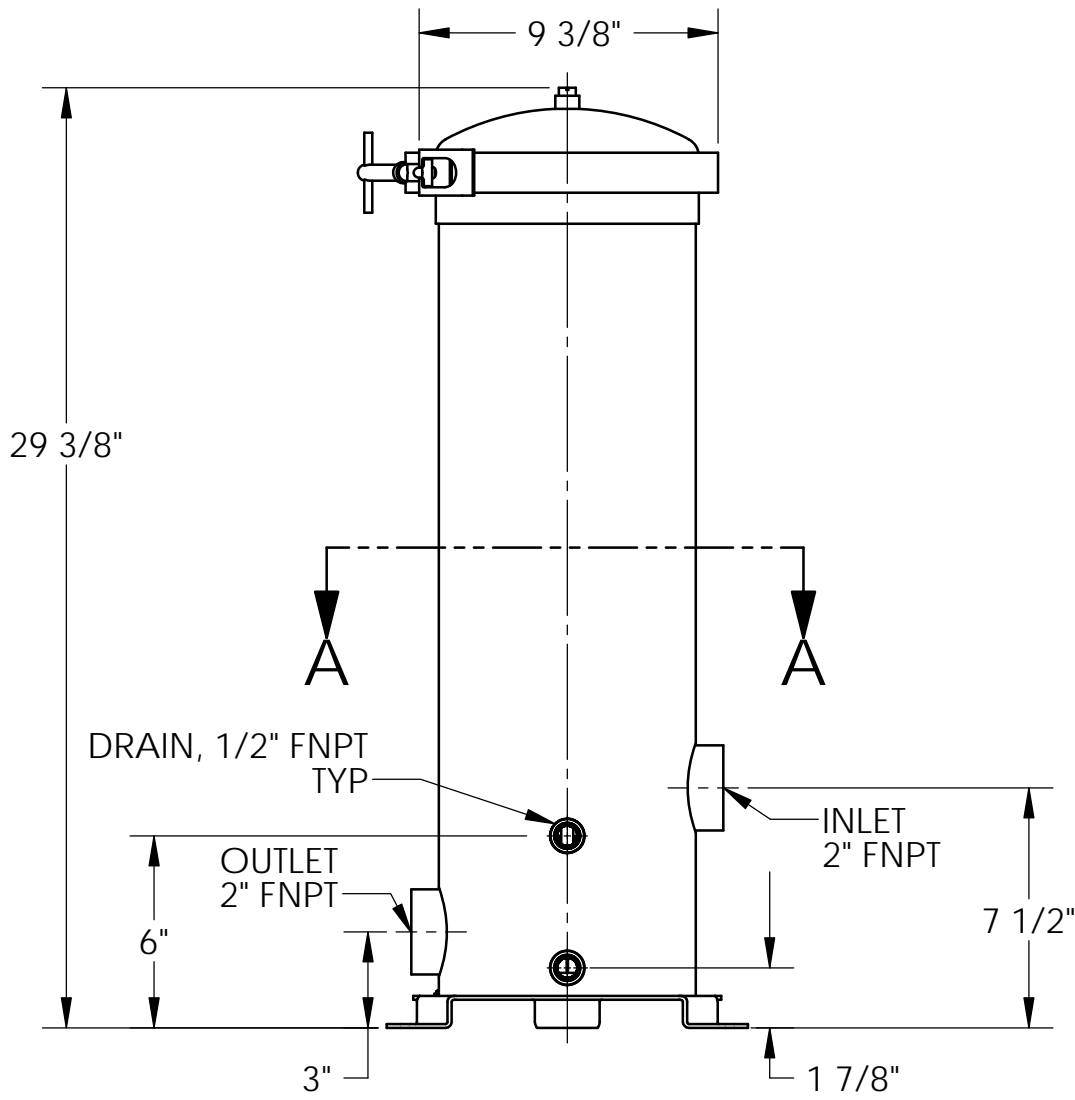


| REV. | DESCRIPTION | DATE | APPROVED |
|------|-------------|------|----------|
| | | | |
| | | | |

ALLOW 49" FOR OVERHEAD CLEARANCE



LEG SLOT
DETAIL B
SCALE 1 : 3

HARMSCO INC.

P.O. BOX 14066 N. PALM BEACH, FL

PART NO.

PART NAME
**INSTALLATION
DIAGRAM**

BC4-2-T-__

SCALE
"1:6"

APPROVALS

DATE

8/15/09

RPT

APPROVED

UNLESS OTHERWISE SPECIFIED
DIMENSIONS ARE IN INCHES
TOLERANCES ARE:
FRACTIONS DECIMALS ANGLES
+/- 1/32 +/- .010 +/- .30"

DRAWN ON CAD DO NOT SCALE

THE INFORMATION CONTAINED IN THIS DRAWING IS THE SOLE PROPERTY OF HARMSCO INC. ANY REPRODUCTION IN PART OR WHOLE WITHOUT THEIR EXPRESS WRITTEN CONSENT IS PROHIBITED.